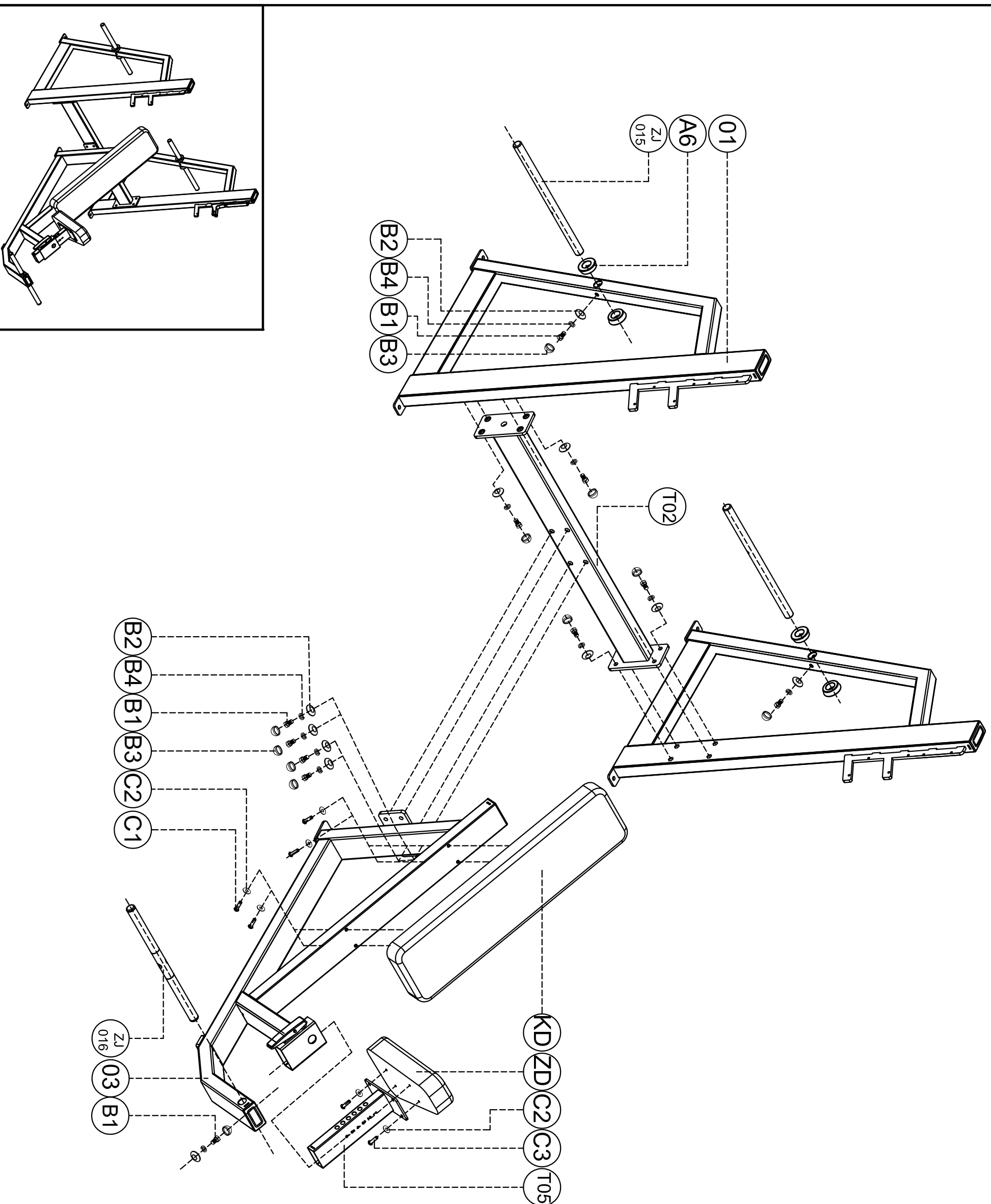


Exploded

E3042 Olympic Benchincline



please note :prats didn't
demolitione part and fast
eners not listde on the
introduction

C3	Cup head inner hex screw M8*35	4
C2	Flat washer ø8. 3*ø20*11.5	8
C1	Cup head inner hex screw M8*80	4
B4	Spring Washer ø12	15
B3	cover ø30 S208	15
B2	drum washer DQ003	15
B1	outside hex screw M12*35	15
A6	Cushion roller pumper	4
ZJ016	footrest	1
ZJ015	Hanging piece rod	2
ZD	Upholstery DZ203	1
KD	Backrest DZ219	1
T05	Cusion selection	1
03	back cushion frame	1
T02	Middle connection	1
01	Side upright frame	2
serial number	Name	quantity